

Model JAS-0C

**Indoor Current Transformer 600 V
10 kV BIL, 150-2,000 A, Window Diameter 4.00"**

Application

Designed for indoor service. Suitable for operating meters, relays and control devices, on circuits not exceeding 600 V line-to-line. It is intended for use in switchboards and in switchgear equipment. It may be used on higher voltage circuits with an insulated conductor. Refer to the Applications Information section of catalog GEP-9186.



Regulatory Agency Approvals

UL Recognized File E93779

Insulation Level

0.6 kV; BIL 10 kV full wave.

Continuous Thermal Current Rating Factor

30 °C Ambient 1.33
55 °C Ambient 1.00

Frequency

50-60 Hz

Weight

Transformer (approximate) 9 lbs

Reference Drawings

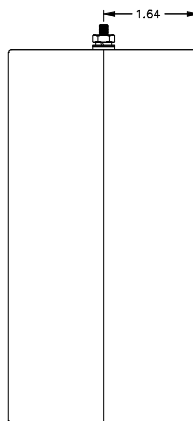
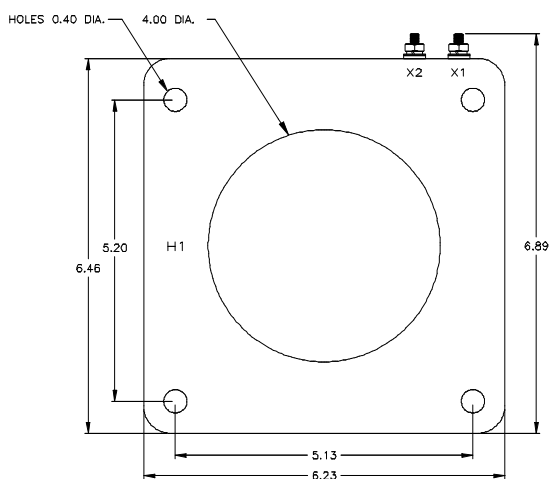
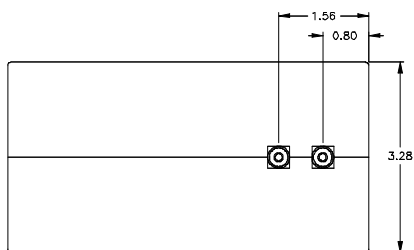
Outline 0121C33703

JAS-0C Product Data

| Current Ratio (Amps) Pri : Sec | ANSI Accuracy Class, 60 Hz | | Secondary Winding Resistance (Ω @ 75 °C) | Catalog Number |
|-----------------------------------|----------------------------|-------------|--|----------------|
| | Meter Class, Burden | Relay Class | | |
| 150:5 | 1.2 thru B0.2 | C 10 | 0.085 | 750X114107 |
| 200:5 | 0.6 thru B0.2 | C 15 | 0.113 | 750X114108 |
| 300:5 | 0.3 thru B0.2 | C 25 | 0.170 | 750X114109 |
| 400:5 | 0.3 thru B0.5 | C 35 | 0.227 | 750X114110 |
| 500:5 | 0.3 thru B0.5 | C 45 | 0.283 | 750X114111 |
| 600:5 | 0.3 thru B1.8 | C 50 | 0.340 | 750X114101 |
| 800:5 | 0.3 thru B1.8 | C 70 | 0.360 | 750X114102 |
| 1,000:5 | 0.3 thru B1.8 | C 80 | 0.450 | 750X114103 |
| 1,200:5 | 0.3 thru B1.8 | C 50 | 0.680 | 750X114104 |
| 1,500:5 | 0.3 thru B1.8 | C 20 | 0.487 | 750X114105 |
| 1,600:5 | 0.3 thru B1.8 | C 20 | 0.519 | 750X114112 |
| 2,000:5 | 0.3 thru B1.8 | C 20 | 0.649 | 750X114106 |



JAS-0C Dimensions



Construction and Insulation

The core and coil are enclosed in a case molded with GE Valox thermoplastic polyester resin. This material has excellent electrical and mechanical properties over a wide temperature range, and is resistant to oil and a variety of chemicals.

Core and Coils

The core is made from high quality grain oriented silicon steel, annealed under rigidly controlled factory conditions. The secondary winding is made of heavy enameled copper wire. The secondary windings are evenly distributed around the core for maximum accuracy and resistance to stray fields from adjacent conductors.

Terminals

Secondary terminals are No. 8-32 brass studs with one flatwasher, one lockwasher and a regular nut. Because the transformer is used primarily in enclosed switchgear compartments, which cannot be opened while the transformer is energized, a secondary shorting device and terminal cover are not provided.

Polarity

Primary and secondary polarity marks H1 and X1 are molded into the case.

Primary Conductor

A bus or insulated cable forms the primary winding.

Nameplates

The nameplate is a polyester label attached to the face of the transformer.

Mounting

The transformer can be mounted in any position.

Maintenance

These transformers require no maintenance, other than occasional cleaning, if installed where air contamination is severe.

Grid-AIS-L4-ITL_Model_JAS_0C-1394-2017_07-EN. © Copyright 2017. General Electric Company and Instrument Transformers LLC reserve the right to change specifications of described products at any time without notice and without obligation to notify any person of such changes.

